

# jaga

CLIMATE DESIGNERS

Heating 

Light cooling 

Deep cooling 

Ventilation 

## BRIZA

FAN CONVECTORS AND FAN COILS





# jaga

CLIMATE DESIGNERS

**Climate change and evolution of construction techniques demand new ecological solutions for heating, cooling and ventilation.**

New technologies have to consume far less energy. They have to ensure a better indoor climate without damaging the outdoor climate. Traditional systems with fire and carbon emissions have to be extinguished. We have to evolve towards a green flame and build a sustainable path towards a better future. Choosing the sustainable path is no longer a matter of choice, it's an obligation.

Always honouring its values, Jaga Climate Designers continually look for the most ecological solutions for heating, cooling and ventilation.

***THE GO-TO COMPANY FOR  
DYNAMIC HEATING AND COOLING  
CONVECTORS THAT OPTIMISE  
RENEWABLE ENERGY***

## BRIZA

Looking for that sophisticated, intelligent radiator to compliment your interior design?

Well you've come to the right place...

Briza is a state-of-the-art fan convector that looks amazing in any space. Its compact and slimline design encompasses intelligent engineering that provides thermal comfort throughout the year.

Briza is the perfect heat emitter for low water flow temperatures associated with heat pumps and alternative renewable energy technologies. It can condition the air too with its deep cooling function, reducing temperature and humidity in the space.

If you prefer a more sustainable approach to cooling, then light cooling (non-condensing) which reduces air temperature by a few degrees, is for you.

### FEATURES AND OPTIONS INCLUDE:

- Cased and concealed
- Wall or ceiling
- 2 or 4-pipe heat exchanger
- Powerful heating
- Deep or light cooling
- Breeze function
- Control packages
- Condensate control
- Duct and grilles
- Colour options



BRIZA

# APPLICATIONS

## A DYNAMIC SOLUTION FOR ANY APPLICATION

Briza is suitable for a wide range of applications where high power and quiet heating, cooling and ventilation is required.

With its sleek and slimline design, it's the perfect solution for residential projects and is also ideal for renovation projects, retail stores, office spaces and meeting rooms, schools, hotels, public buildings and many more.

Briza is available as a surface wall or ceiling model, with a robust and elegant casing to enhance the décor of any space. Alternatively, concealed variants are available,

ideal for building into wall or ceiling recesses, complete with a choice of duct accessories and grilles.

If you're heating or cooling a small space then Briza 12 is the perfect choice. Its shallow depth allows designers to integrate seamlessly and beautifully into any room.

For larger spaces, or multi-room applications, take a look at our Briza 22. Delivering high output heating and cooling at lower flow temperature, it has a powerful fan unit suited for ducted applications with the option of delivering fresh air for full ventilation.

### GUARANTEE

- Heat exchanger: 5 years
- Electrical components: 2 years
- Valves: 3 years
- Other components: 10 years



# COMPONENT PARTS



### HEAT EXCHANGER

- 2-pipe system for heating and cooling with one hydraulic circuit, or...
- 4-pipe system for heating and cooling with two dedicated hydraulic circuits, one for each function
- Standard connection on the left-hand side
- Hydraulic connection 1/2" BSP - F , or 3/4" BSP - F model dependent
- Manufactured from round, seamless circular pipes in pure copper, connected to pure aluminium panels with a common distance of 2.1mm and an integrated brass collector, including air vent
- Test pressure: 25 bar
- Maximum working pressure: 10 bar

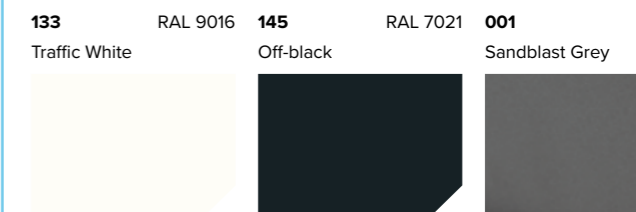
### FAN WITH EC MOTOR

- Electrical connection standard on the right-hand side
- Tangential activators with aluminium fins, with EPDM vibration reduction and ball bearing support
- EC motor with 0 to 10 V control

### CASING

- Casings are manufactured using 1.25mm galvanized sheet steel
- Finished in a scratch resistant epoxy polyester powder paint
- Surface temperature will not exceed 43°C

### STANDARD COLOURS



More colour options on pages 32-33



# DIMENSIONS WITH CASING - BRIZA 12

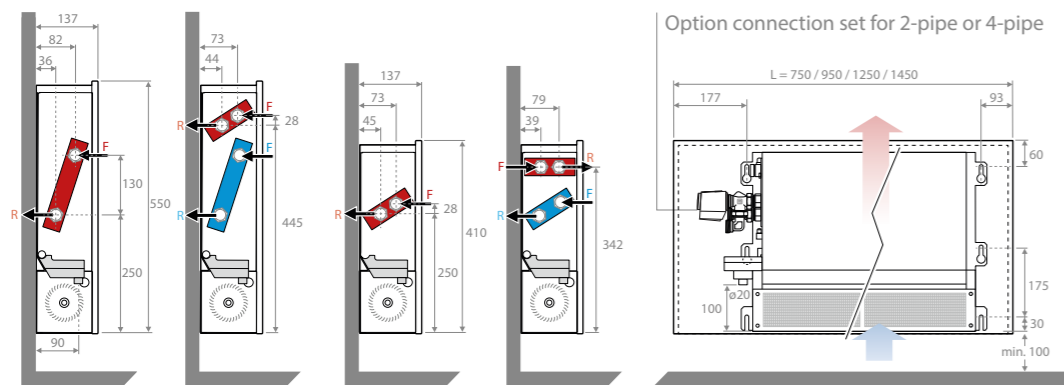


**BZMW SURFACE WALL**

**BZMC SURFACE CEILING**

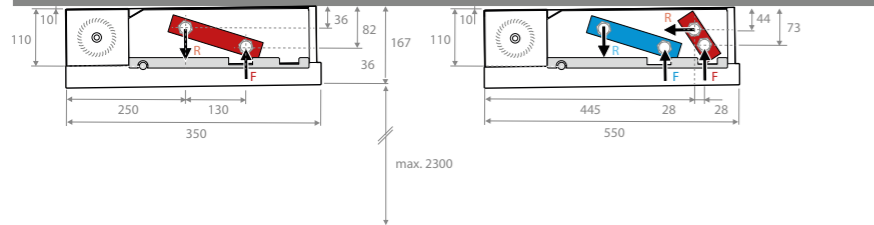
## BZMW

H 550 / 2-pipe H 550 / 4-pipe H 410 / 2-pipe H 410 / 4-pipe

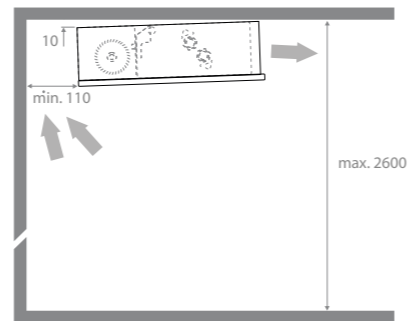
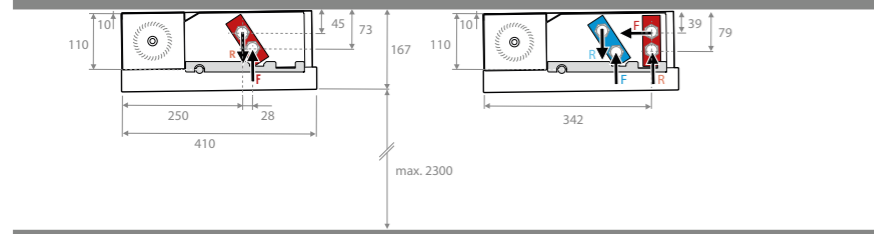


## BZMC

H 550 / 2-pipe H 550 / 4-pipe



H 410 / 2-pipe H 410 / 4-pipe



# DIMENSIONS WITHOUT CASING - BRIZA 12

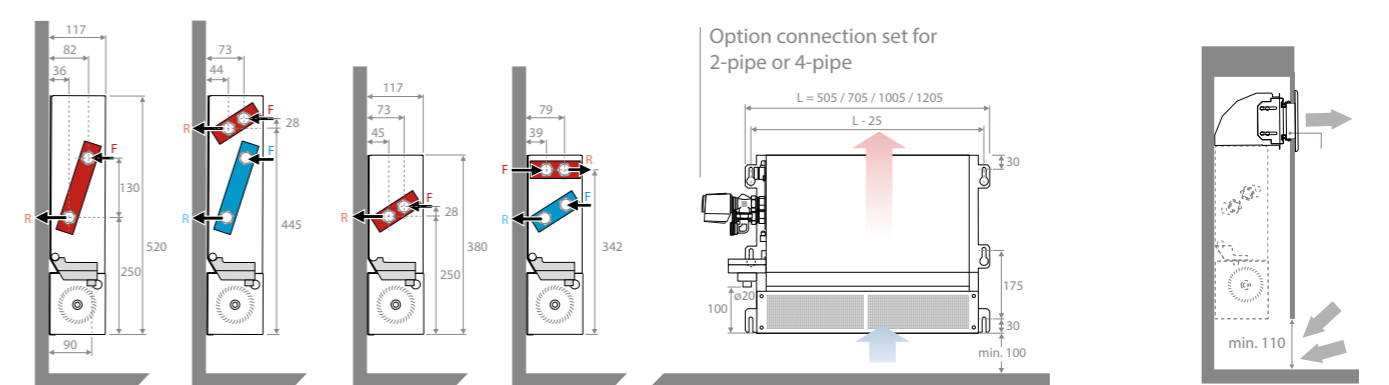


**BZBW CONCEALED WALL**

**BZBC CONCEALED CEILING**

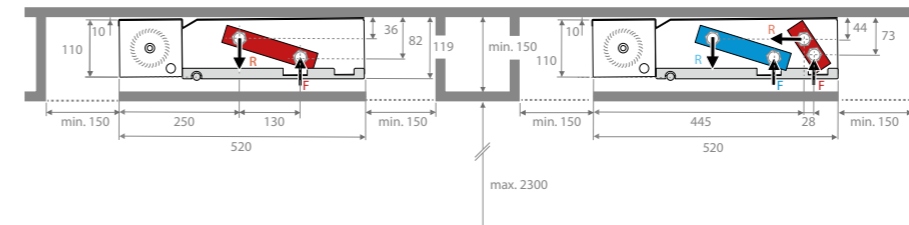
## BZBW

H 520 / 2-pipe H 520 / 4-pipe H 380 / 2-pipe H 380 / 4-pipe

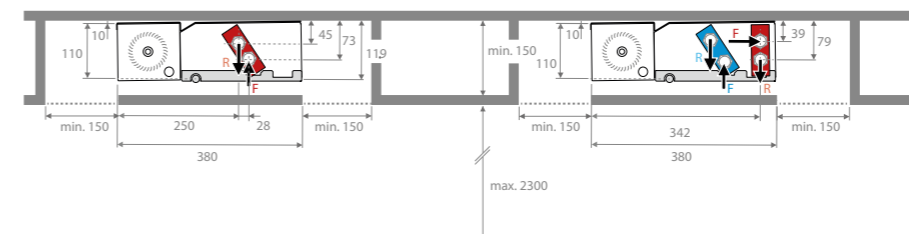


## BZBC

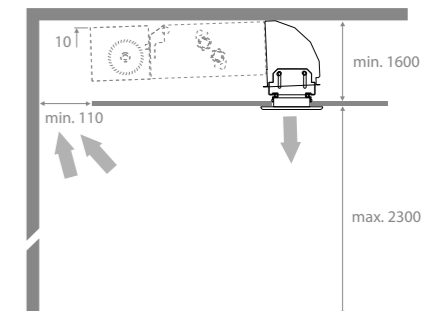
H 520 / 2-pipe H 520 / 4-pipe



H 380 / 2-pipe H 380 / 4-pipe



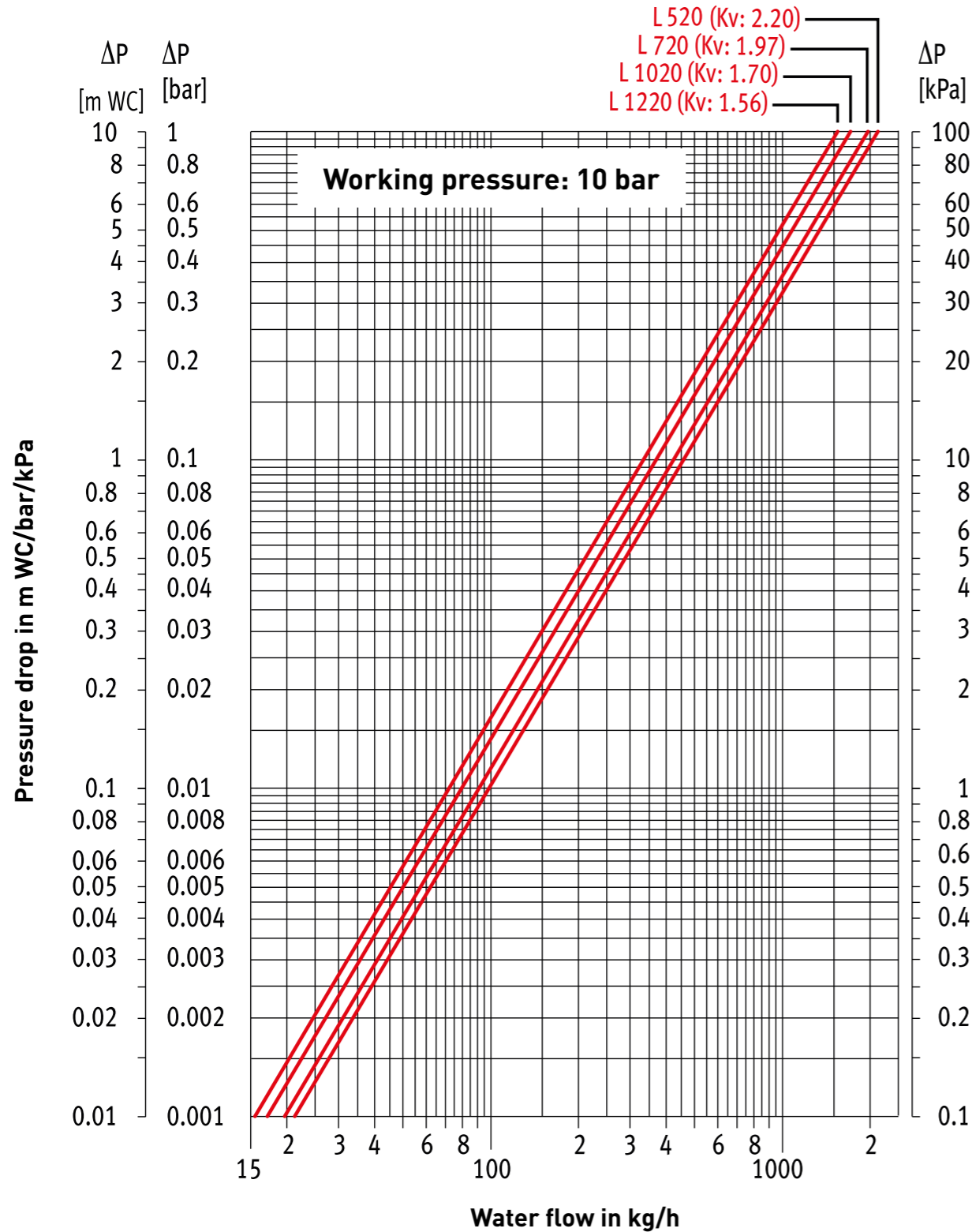
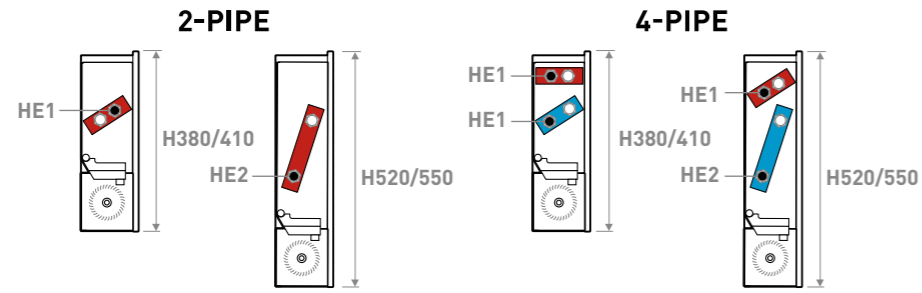
Built-in model with air outlet corner piece





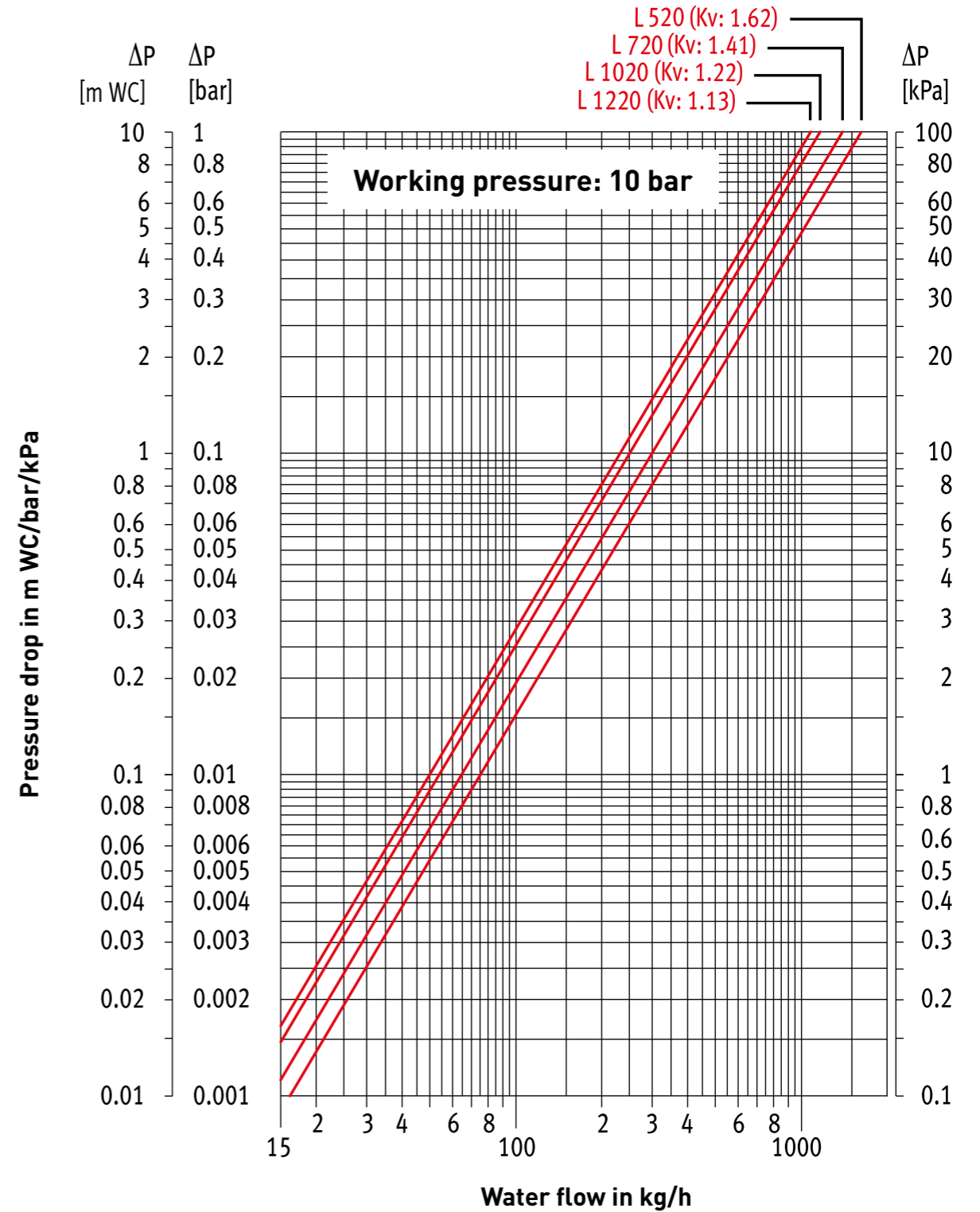
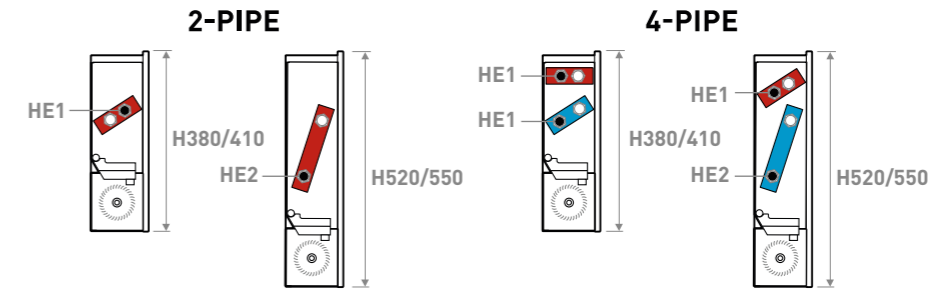


# PRESSURE DROP HEAT EXCHANGER 1 - BRIZA 12



• Lengths based on concealed wall and ceiling

# PRESSURE DROP HEAT EXCHANGER 2 - BRIZA 12



• Lengths based on concealed wall and ceiling



# CONTROL PACKAGES - BRIZA 12

NOW THAT YOU HAVE SELECTED YOUR BRIZA, IT'S TIME TO CONSIDER HOW YOU WOULD LIKE TO CONTROL IT...

We are pleased to offer a range of packaged control options to suit most operational requirements and budget limitations. From our bronze package, through to our platinum offering, we've got you covered.

For further assistance on any of our control packages, or for control options other than detailed here, please contact our technical sales team.

## BRONZE PACKAGE

The bronze package is very similar to a standard radiator control. It's a simple thermostatic radiator head for heating, and the fan runs at one speed only.

All components are factory fitted, excluding the head.

Suitable for cased units and 2-pipe coils only.

**Order code (2-pipe)**  
BRZ.CPBRON.UK/2P



- Factory fitted components:
  - 240V to 24V power supply
- TRV head supplied separately
- Heating only
- Suitable for cased units and 2-pipe coils only
- Single fan speed operation only, but actual speed can be changed

If you require heating and cooling, then a head controlling both functions can be supplied.



**Order code (2-pipe)**  
BRZ.CPBRON.UK/HC/2P

## SILVER PACKAGE

For simple three speed control for heating and cooling, choose our silver option. The push button control is factory fitted, positioned on the air discharge louvre.

Lockshield valves are supplied separately.

**Order code (2-pipe)**  
BRZ.CPSILV.UK/2P  
**Order code (4-pipe)**  
BRZ.CPSILV.UK/4P



- Factory fitted components:
  - 3 speed manual control unit
  - 240V to 24V power supply
  - Motorised valve
- Complete with lockshield valves
- Heating and cooling
- Suitable for wall mounted cased units
- 2 and 4-pipe coils
- Three fan speed operation

## GOLD PACKAGE

The gold package incorporates a remote wall-mounted control unit that offers full functionality and programmability.

All control components are supplied separately for onsite installation.

Suitable for cased and concealed units.

**Order code (2-pipe)**  
BRZ.CPGOLD.UK/2P  
**Order code (4-pipe)**  
BRZ.CPGOLD.UK/4P



- Wall mounted digital control
- 240V to 24V power supply
- Motorised valve
- Heating and cooling
- Suitable for cased and uncased units
- 2 and 4-pipe coils
- Variable fan speed operation

## PLATINUM PACKAGE

Our flagship control package with all control components factory fitted for a plug and play experience.

Incorporating a fully programmable touchscreen control, with Wi-Fi and App capability.

Suitable for wall-mounted cased units only.

**Order code (2-pipe)**  
BRZ.CPPLAT.UK/2P  
**Order code (4-pipe)**  
BRZ.CPPLAT.UK/4P



- Integrated digital touchscreen control
- 240V to 24V power supply
- Motorised valve
- Heating and cooling
- Suitable for wall mounted unit with casing only
- 2 and 4-pipe coils
- Variable fan speed operation

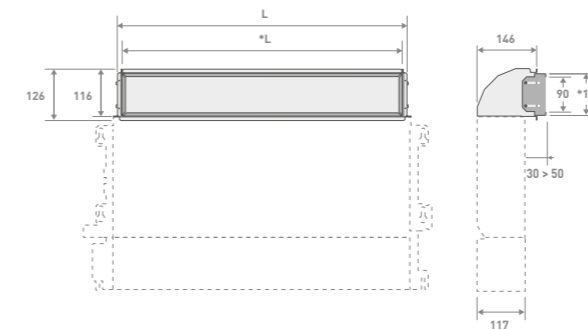
For concealed and ceiling-mounted units all components are supplied separately for onsite installation.



**Order code (2-pipe)**  
BRZ.CPPLAT.UK/2P/CC  
**Order code (4-pipe)**  
BRZ.CPPLAT.UK/4P/CC

## 90° DUCT BEND FOR BZBW/BZBC

(30 TO 50mm ADJUSTMENT)

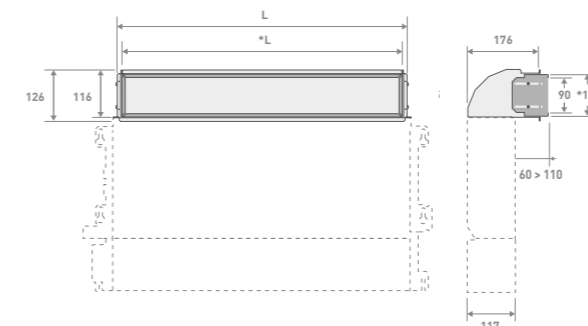


\* Minimum dimensions opening air outlet (without optional exhaust grille)

Briza (L)	L (mm)	*L (mm)	CODE
520	410	370	5927.00005201
720	610	570	5927.00007201
1020	910	870	5927.00010201
1220	1110	1070	5927.00012201

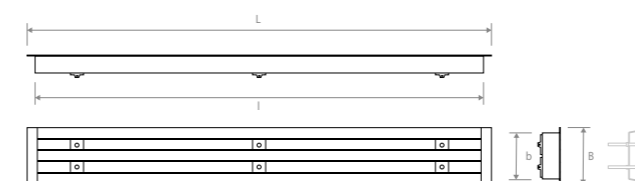
## 90° DUCT BEND FOR BZBW/BZBC

(60 TO 110mm ADJUSTMENT)



Briza (L)	L (mm)	*L (mm)	CODE
520	410	370	5927.00005202
720	610	570	5927.00007202
1020	910	870	5927.00010202
1220	1110	1070	5927.00012202

## GRILLE WITH ADJUSTABLE LOUVRES



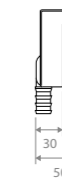
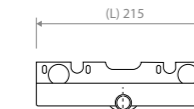
Briza (L)	Frame external dimensions		Frame internal dimensions		Order code
	Length (L)	Width (B)	Length (l)	Width (b)	
520	390	110	355	90	8789.221
720	590	110	555	90	8789.222
1020	890	110	855	90	8789.223
1220	1090	110	1055	90	8789.224

- Can be used in conjunction with 90° duct bends or connect to construction fascias
- For outlet and inlet air requirements
- Manufactured from extruded aluminium
- RAL 9003 white finish
- Black louvres

# OPTIONAL EXTRAS - BRIZA 12

## ADDITIONAL CONDENSATE TRAY FOR BZBC

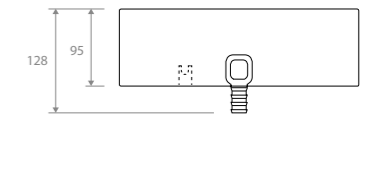
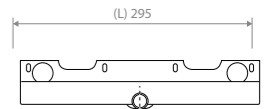
### BRIZA H380



### BRIZA H380

L (mm)	CODE
215	5127.00010001

### BRIZA H520

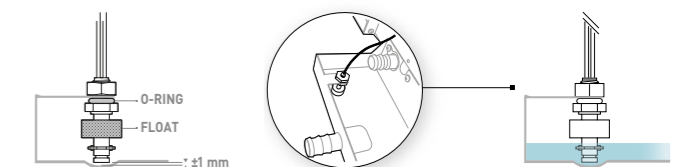


### BRIZA H520

L (mm)	CODE
295	5127.00010002

This is an additional option to collect possible condensation from external pipework and valves. It simply bolts to the chassis, sitting slightly under the standard condensate tray.

## SENSOR FOR CONDENSATION COLLECTION TRAY

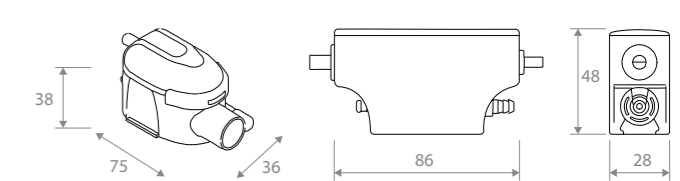


**CODE**  
5127.00010003

Supplied to sense the level of the condensate in the tray. When activated it sends an electrical signal to a room thermostat, BMS, valve or alarm system.

- 10 Watt switching capability
- 80°C maximum temperature
- 100 VDC maximum switching voltage
- Maximum Specific Gravity 0.09

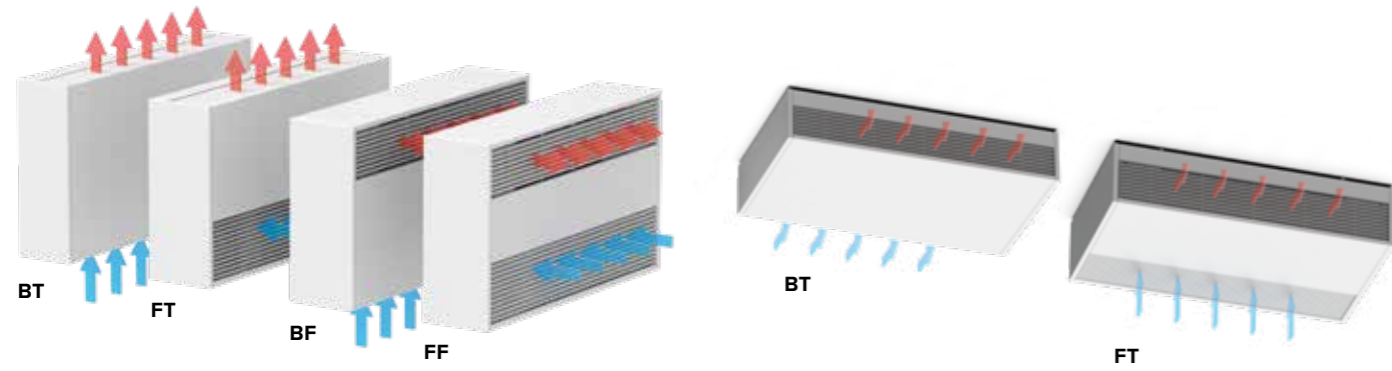
## CONDENSATE PUMP



**CODE**  
8773.0101

- Low noise
- Flow rate 1.5l/h
- Power 19W 220/240 VAC 50/60 Hz
- Noise level 19.7 dB(A)
- IP64 protection
- Suction head 2m
- Discharge maximum head 10m
- Cable length 1.6m

## DIMENSIONS WITH CASING - BRIZA 22



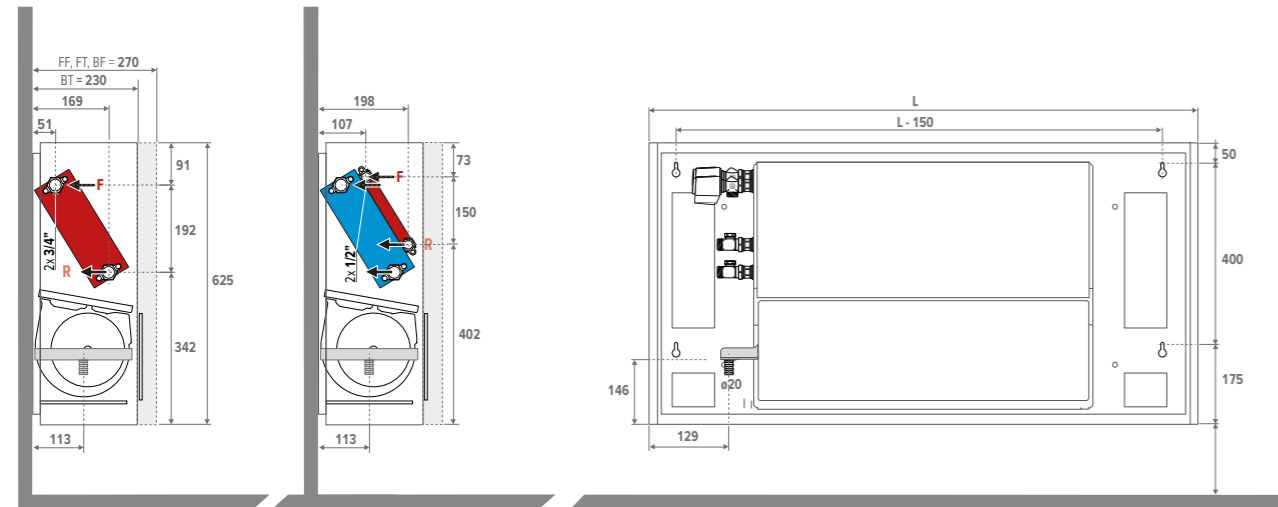
BAMW SURFACE WALL

BAMC SURFACE CEILING

### BAMW

2-pipe

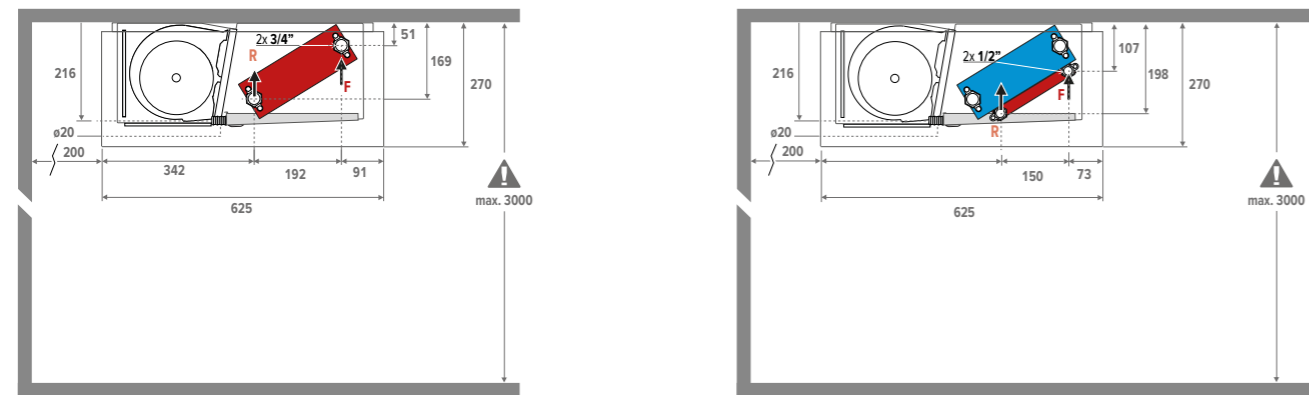
4-pipe



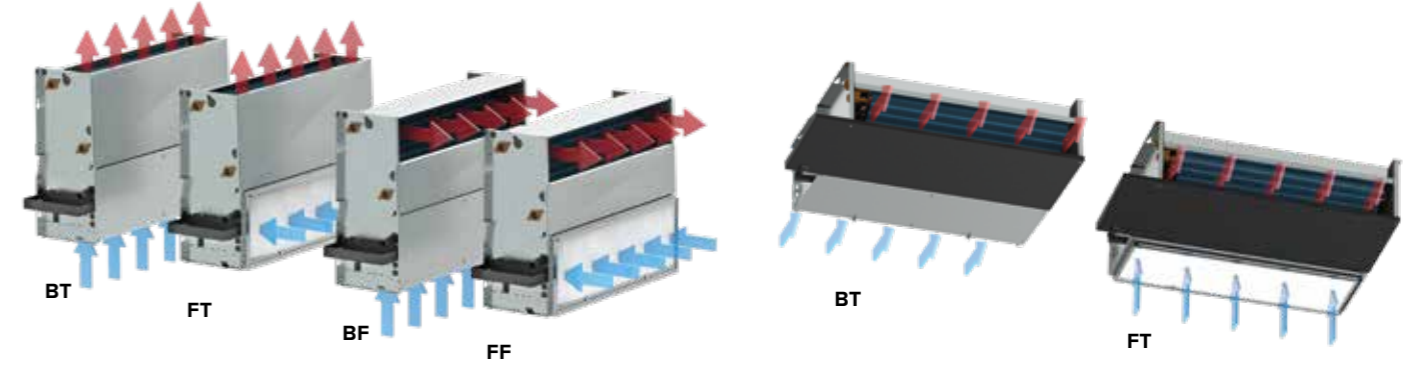
### BAMC

2-pipe

4-pipe



## DIMENSIONS WITHOUT CASING - BRIZA 22



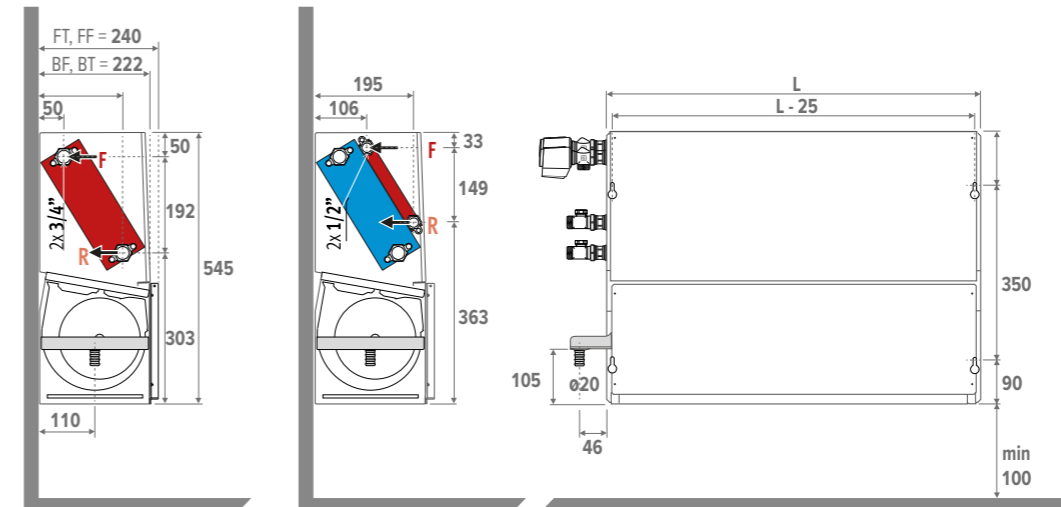
BABW CONCEALED WALL

BABC CONCEALED CEILING

### BABW

2-pipe

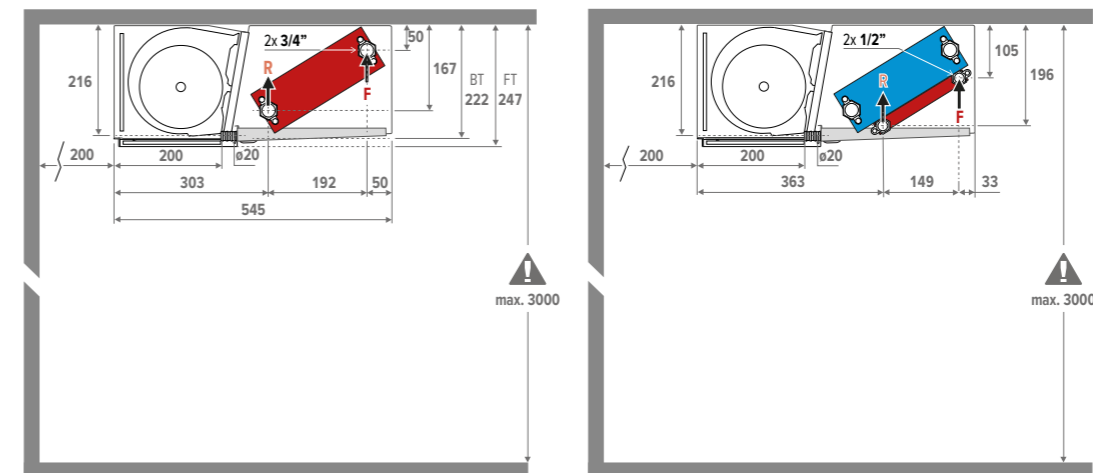
4-pipe



### BABC

2-pipe

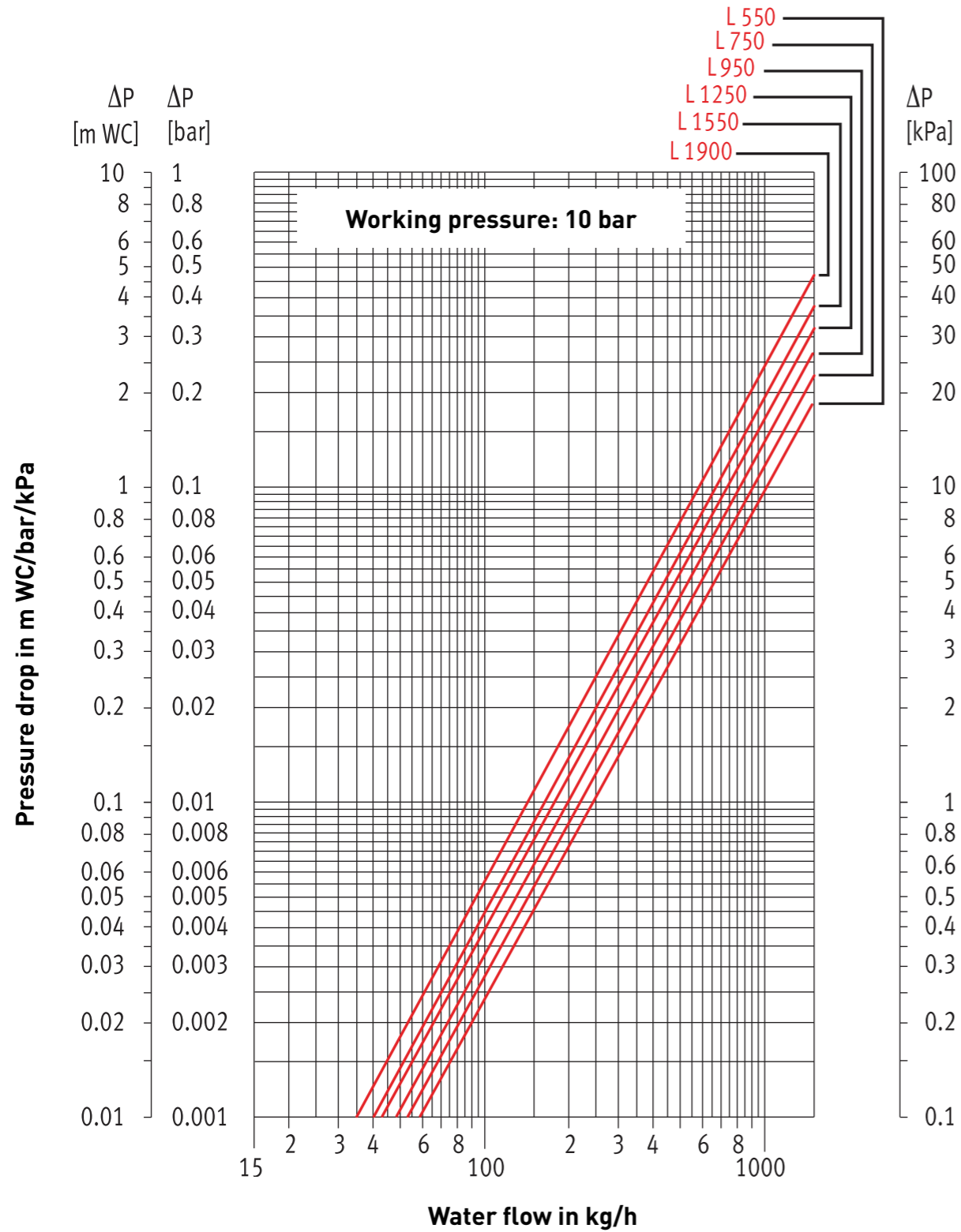
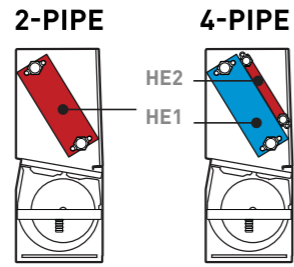
4-pipe





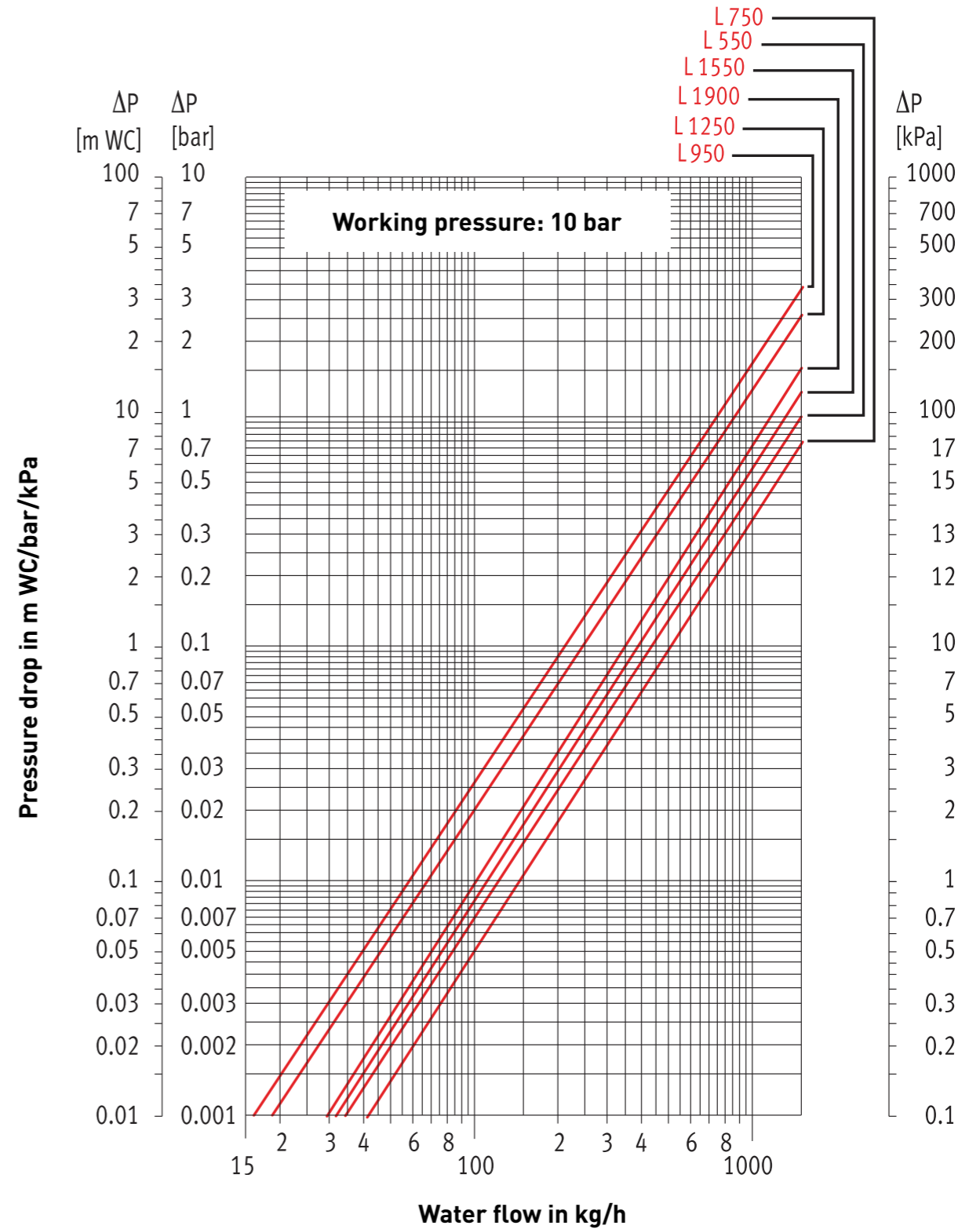
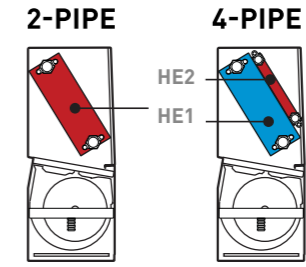


# PRESSURE DROP HEAT EXCHANGER 1 - BRIZA 22



• Lengths based on concealed wall and ceiling

# PRESSURE DROP HEAT EXCHANGER 2 - BRIZA 22



• Lengths based on concealed wall and ceiling

# TECHNICAL DATA - BRIZA 22

DESCRIPTION	UNIT	BRIZA MODEL RANGE BASED ON CONCEALED WALL AND CEILING						
		230-1-50	230-1-50	230-1-50	230-1-50	230-1-50	230-1-50	
LENGTH	mm	550	750	950	1250	1550	1900	
HEIGHT	mm	545	545	545	545	545	545	
DEPTH	mm	220	220	220	220	220	220	
WEIGHT	kg	17	21.5	27	35.5	44	56	
POWER SUPPLY	V-PH-Hz	230-1-50	230-1-50	230-1-50	230-1-50	230-1-50	230-1-50	
CONNECTION HEAT EXCHANGER 1	inch	¾G(F)	¾G(F)	¾G(F)	¾G(F)	¾G(F)	¾G(F)	
CONNECTION HEAT EXCHANGER 2	inch	½G(F)	½G(F)	½G(F)	½G(F)	½G(F)	½G(F)	
CONNECTION CONDENSATE DRAIN	mm	20	20	20	20	20	20	
HEAT EXCHANGER ROWS (STANDARD HEAT EXCHANGER)	number	4	4	4	4	4	4	
WATER CONTENT HEAT EXCHANGER 1	litres	1.23	1.77	2.23	3.14	4.05	4.46	
WATER CONTENT HEAT EXCHANGER 2	litres	0.31	0.42	0.53	0.69	0.85	1.06	
FANS	number	1	2	2	3	4	5	
POWER CONSUMPTION	Watts	2VDC	3.7	3.6	4	9	6.3	11.1
		4VDC	8	8.5	10	18	15	25.9
		6VDC	17	18	20	34	35	52.8
		8VDC	29	31	36	59	64	93
		10VDC	42	45	50	79	86	131.5
ELECTRICAL CURRENT	Amps	2VDC	0.36	0.41	0.44	0.64	0.73	1
		4VDC	0.26	0.29	0.33	0.48	0.55	0.77
		6VDC	0.16	0.17	0.19	0.31	0.31	0.47
		8VDC	0.09	0.09	0.1	0.19	0.15	0.26
		10VDC	0.06	0.05	0.05	0.12	0.08	0.15
AIRFLOW AGAINST STATIC PRESSURE AT 10 VOLT SPEED	m3/h	0 Pa	485	595	764	1104	1266	1922
		10 Pa	450	550	690	1005	1155	1780
		20 Pa	425	520	640	950	1075	1630
		30 Pa	400	480	590	890	995	1478
		40 Pa	380	450	550	830	915	1327
		50 Pa	350	410	495	770	830	1179
		60 Pa	330	375	440	1031	755	705
		70 Pa	300	335	385	635	675	882
		80 Pa	265	290	335	555	585	727
		90 Pa	240	240	275	475	480	559
100 Pa	200	195	220	380	375	369		
110 Pa	170	140	150	305	275	147		
120 Pa	140	85	90	220	160	-		
SPECIFIC FAN POWER WITH G2 FILTER AT 10 VOLT SPEED	W/l/s	0Pa	0.315	0.272	0.235	0.257	0.244	0.245
		30Pa	0.28	0.268	0.24	0.27	0.241	0.320

Note: full performance fan curves available on request

## BRIZA 22 HP

Where high airflow or increased static pressure is required, Briza 22 HP is the engineered solution. Designed to offer powerful and quiet performance to suit the most complex ducted air movement systems. For further information please contact Jaga's technical department.

# CONTROL PACKAGES - BRIZA 22

## SILVER PACKAGE

For simple three speed control for heating and cooling, choose our silver option. The push button control is factory fitted, positioned on the air discharge louvre.

Lockshield valves are supplied separately.

**Order code (2-pipe)**  
BRE.CPSILV.UK/2P  
**Order code (4-pipe)**  
BRE.CPSILV.UK/4P



- Factory fitted components:
  - 3 speed manual control unit
  - 230Vac to 24Vdc control power supply
  - Motorised valve
- Complete with lockshield valves
- Heating and cooling
- Suitable for wall mounted cased units
- 2 and 4-pipe coils
- Three fan speed operation

## GOLD PACKAGE

The gold package incorporates a remote wall-mounted control unit that offers full functionality and programmability.

All control components are supplied separately for onsite installation.

Suitable for cased and concealed units.

**Order code (2-pipe)**  
BRE.CPGOLD.UK/2P  
**Order code (4-pipe)**  
BRE.CPGOLD.UK/4P



- Wall mounted digital control
- 230Vac to 24Vdc control power supply
- Motorised valve
- Heating and cooling
- Suitable for cased and uncased units
- 2 and 4-pipe coils
- Variable fan speed operation

## PLATINUM PACKAGE

Our flagship control package with all control components factory fitted for a plug and play experience.

Incorporating a fully programmable touchscreen control, with Wi-Fi and App capability.

Suitable for wall-mounted cased units only.

**Order code (2-pipe)**  
BRE.CPPLAT.UK/2P  
**Order code (4-pipe)**  
BRE.CPPLAT.UK/4P



- Integrated digital touchscreen control
- 230Vac to 24Vdc control power supply
- Motorised valve
- Heating and cooling
- Suitable for wall mounted unit with casing only
- 2 and 4-pipe coils
- Variable fan speed operation

For concealed and ceiling-mounted units all components are supplied separately for onsite installation.

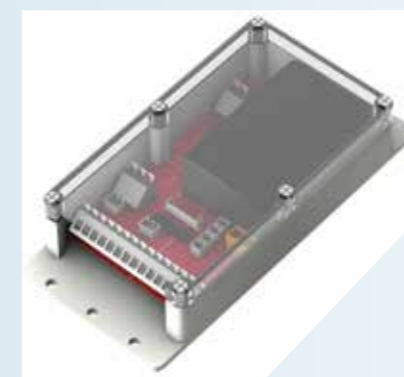


**Order code (2-pipe)**  
BRE.CPPLAT.UK/2P/CC  
**Order code (4-pipe)**  
BRE.CPPLAT.UK/4P/CC

## BMS PACKAGE - JFCC

Jaga fan coil controller increases the functionalities of the Jaga products. The JFCC is available for all Jaga Briza 22 devices. The controller is delivered pre-set and mounted in the unit. The device is controlled by the home automation system or BMS.

**Order code (Heating 2-pipe)**  
FCC.BR712  
**Order code (Heating/Cooling 2-pipe)**  
FCC.BR722  
**Order code (Heating/Cooling 4-pipe)**  
FCC.BR724

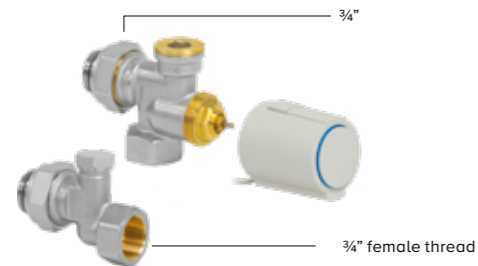


## CONTROL VIA BMS OR EXTERNAL THERMOSTAT

- For 2-pipe or 4-pipe
- One controller per appliance
- With water temperature sensor
- Power supply 230Vac
- With key card/window contact
- Heating and cooling
- Heating: configured at water temperature >28°C, can easily be modified
- Cooling: configured at water temperature <18°C, can easily be modified
- 0-10V input for building management system/thermostats

# OPTIONAL EXTRAS - BRIZA 22

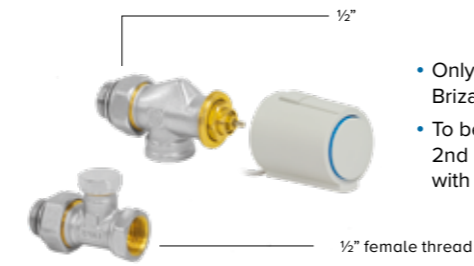
## 3/4" CONNECTION SET 2-PIPE



- Thermoelectric motor 24 VDC or 230 VAC
- Valve 3/4" x 3/4"
- Lockshield 3/4" x 3/4"

set 301	Kv max. 0.8-2.5	TWO PIPE
CODY.WA5.24.0	24 VDC	
CODY.WA5.23.0	230 VAC	

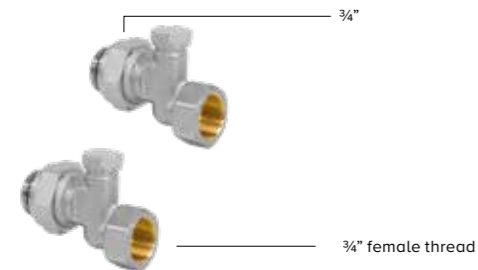
## 1/2" CONNECTION SET 4 PIPE



- Only to be used with Briza 22 4-pipe
- To be mounted on the 2nd heat exchanger with 1/2" connections
- Thermoelectric motor 24 VDC or 230 VAC
- Valve G1/2" x 1/2" 90°
- Lockshield G1/2" x 1/2" 180°

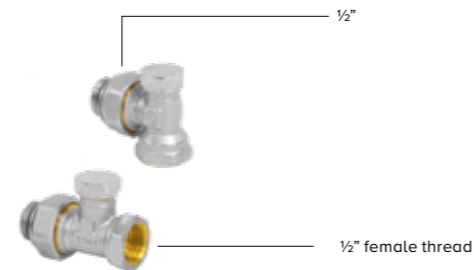
set 98	Kv 1.0 - without pre-setting	TWO PIPE
CODY.WA4.24.0	24 VDC	
CODY.WA4.23.0	230 VAC	

## 3/4" LOCKSHIELD VALVE SET



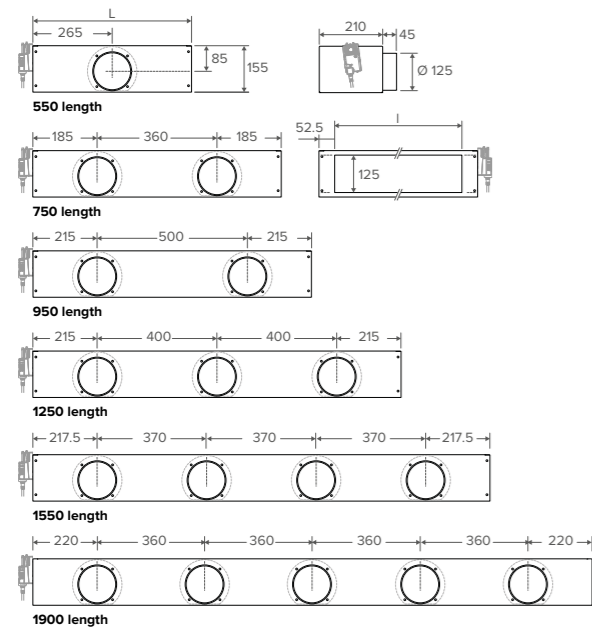
set 302
CODY.L05.00.0

## 1/2" LOCKSHIELD VALVE SET



set 99
CODY.L0M.00.2

## MOTORISED AIR MIXING BOX

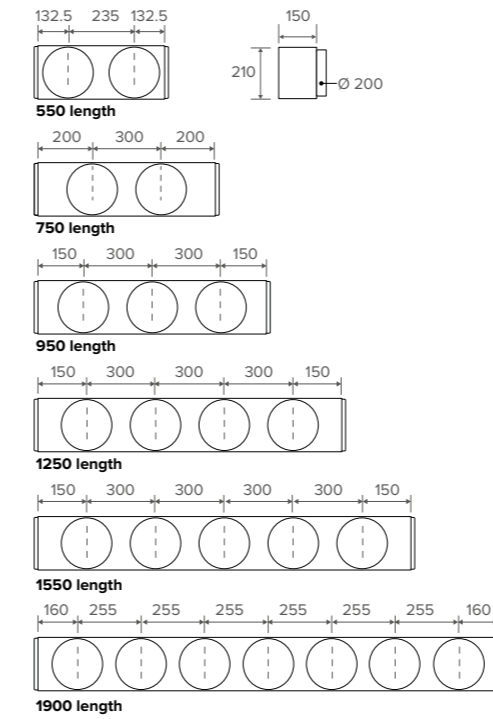


MODEL	L (mm)	CODE
550	530	8763.0301
750	830	8763.0302
950	930	8763.0303
1250	1230	8763.0304
1550	1530	8763.0305
1900	1880	8763.0306

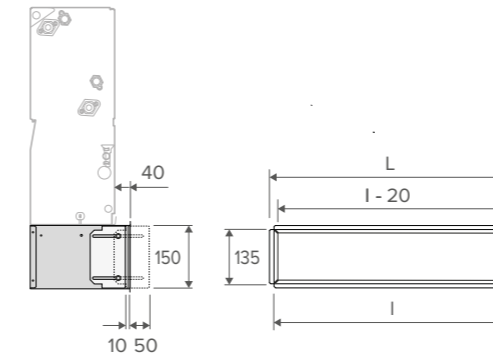


- Motor input voltage dictating damper position for fresh/recirculated air

## OUTLET AND INLET DUCT PLENUMS



## 90° INLET DUCT SECTION



MODEL	L (mm)	l (mm)	CODE
550	530	500	8787.0101
750	830	700	8787.0102
950	930	900	8787.0103
1250	1230	1200	8787.0104
1550	1530	1500	8787.0105
1900	1880	1850	8787.0106

- 90° inlet duct section in situ



# OPTIONAL EXTRAS - BRIZA 22

## AIR INLET PLENUM

- Connection Ø 200mm
- Galvanised steel plate

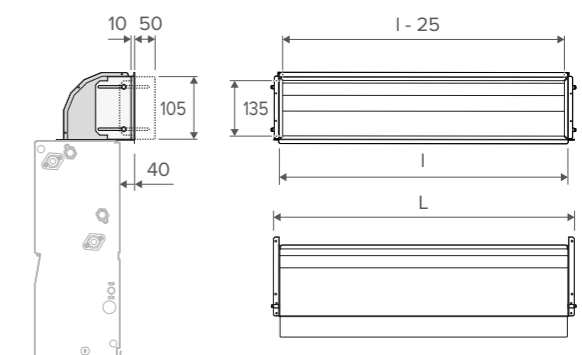
CODE	L Briza 22	# Connections
8764.0501	550	2
8764.0502	750	2
8764.0503	950	3
8764.0504	1250	4
8764.0505	1500	5
8764.0506	1900	7

## AIR OUTLET PLENUM

- Connection Ø 200mm
- Acoustically and thermally insulated internal surfaces
- Galvanised steel plate

CODE	L Briza 22	# Connections
8764.0601	550	2
8764.0602	750	2
8764.0603	950	3
8764.0604	1250	4
8764.0605	1500	5
8764.0606	1900	7

## 90° OUTLET DUCT BEND



MODEL	L (mm)	l (mm)	CODE
550	530	500	8788.0101
750	830	700	8788.0102
950	930	900	8788.0103
1250	1230	1200	8788.0104
1550	1530	1500	8763.0305
1900	1880	1850	8788.0106

- 90° outlet duct bend in situ

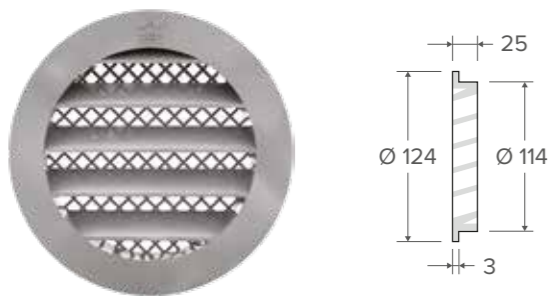


# OPTIONAL EXTRAS - BRIZA 22

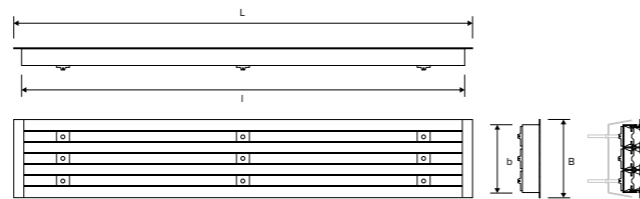
## ALUMINIUM WALL GRILLE Ø 125mm

**CODE**  
8776.1750

- Natural coloured aluminium external grille Ø 125mm
- With fine structured metal anti-vermin grille
- Protection against rain
- Other colours on demand (RAL)



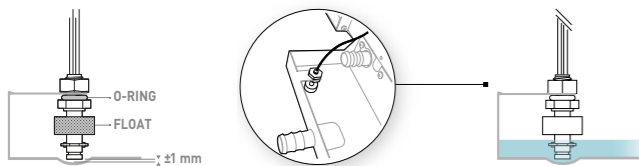
## GRILLE WITH ADJUSTABLE LOUVRES



BRIZA (L)	FRAME EXTERNAL DIMENSIONS LENGTH (L)	FRAME EXTERNAL DIMENSIONS WIDTH (B)	FRAME INTERNAL DIMENSIONS LENGTH (L)	FRAME INTERNAL DIMENSIONS WIDTH (B)	ORDER CODE
550	510	150	470	135	8789.225
750	710	150	670	135	8789.226
950	910	150	870	135	8789.227
1250	1210	150	1170	135	8789.228
1550	1510	150	1470	135	8789.229
1900	1860	1150	1820	135	8789.230

- Can be used in conjunction with 90° duct bends or connect to construction fascias
- For outlet and inlet air requirements
- Manufactured from extruded aluminium
- RAL 9003 white finish
- Black louvres

## SENSOR FOR CONDENSATION COLLECTION TRAY

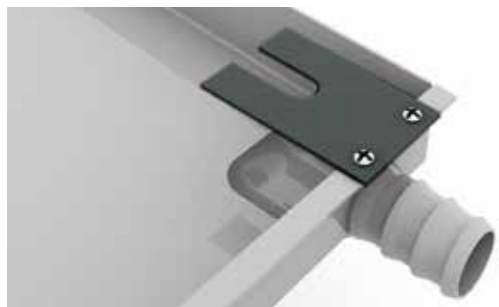


**CODE**  
5127.00010003

Supplied to sense the level of the condensate in the tray. When activated it sends an electrical signal to a room thermostat, BMS, valve or alarm system.

- 10 Watt switching capability
- 80°C maximum temperature
- 100 VDC maximum switching voltage
- Maximum Specific Gravity 0.09

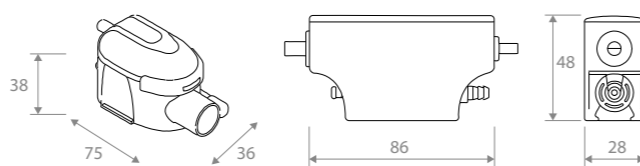
## OPTIONAL MOUNTING BRACKET



**CODE**  
8776.0701

- The mounting holes are pre-punched in the condensation tray
- Painted finish
- Thickness 1mm
- 2 rivets for mounting are supplied as standard
- Ceiling models only

## CONDENSATE PUMP

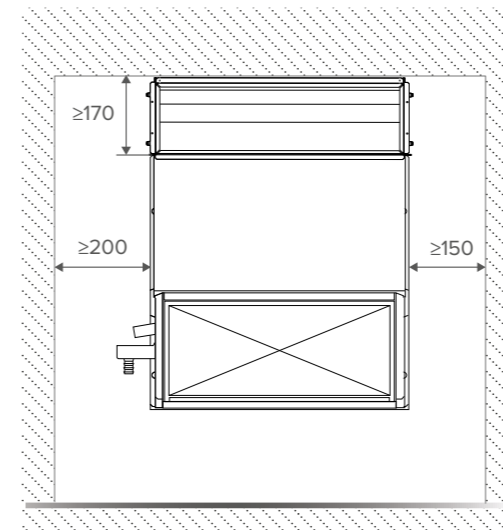
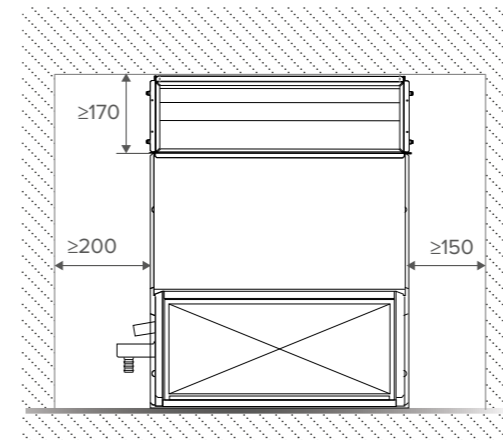


**CODE**  
8773.0101

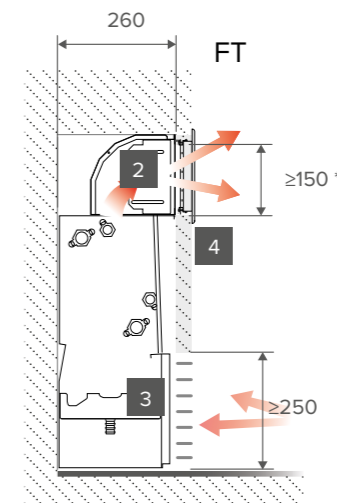
- Low noise
- Flow rate 1.5/h
- Power 19W 220/240 VAC 50/60 Hz
- Noise level 19.7 dB(A)
- IP64 protection
- Suction head 2m
- Discharge maximum head 10m
- Cable length 1.6m



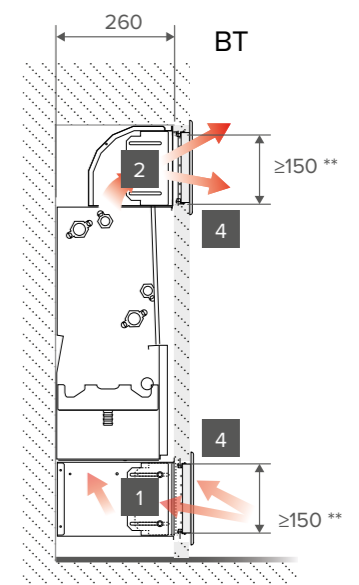
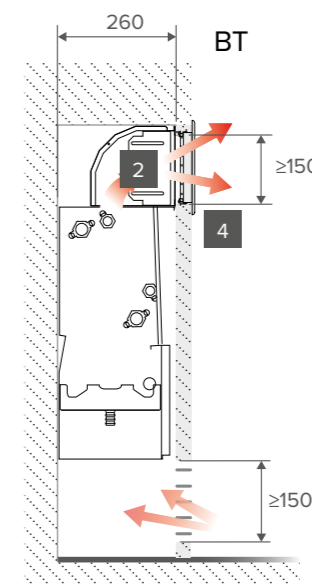
## BABW CONCEALED WALL



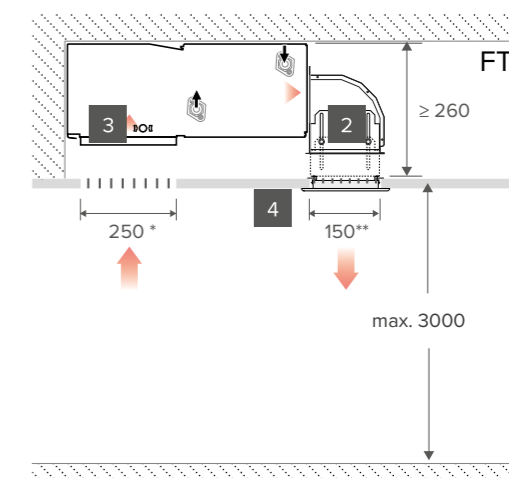
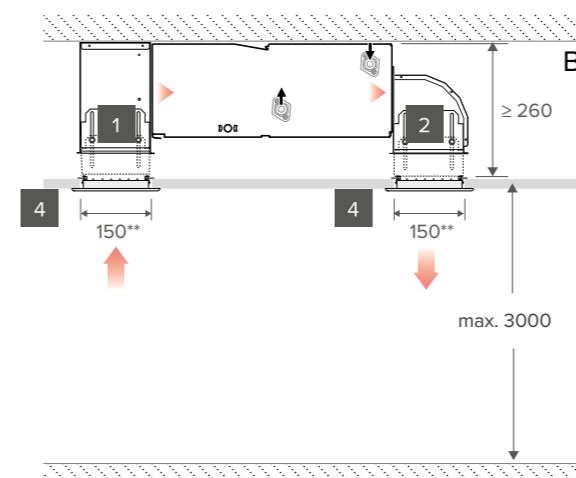
# INSTALLATION GUIDE - BRIZA 22



- 1 90° inlet section, 50mm adjustment range
- 2 90° outlet bend, 50mm adjustment range
- 3 Front grille with filter
- 4 Grille with adjustable louvre



## BABC CONCEALED CEILING





# JAGA COLOURS

Jaga colours are divided into three colour groups:

“Subtle & discreet” includes a selection of neutral colours that discreetly blend our units into the interior.

“Colours of nature” is a collection of 16 colours containing bright, variegated, greyish and pastel shades. From soft natural colours to dark chic. For the bold.

“Precious metals” includes metal lookalikes, in harmony with trends in the world of taps, lighting and bathroom accessories.

Jaga has environmentally-friendly electrostatic powder coating lines. Excess powder is recuperated and no solvents are used during this process.

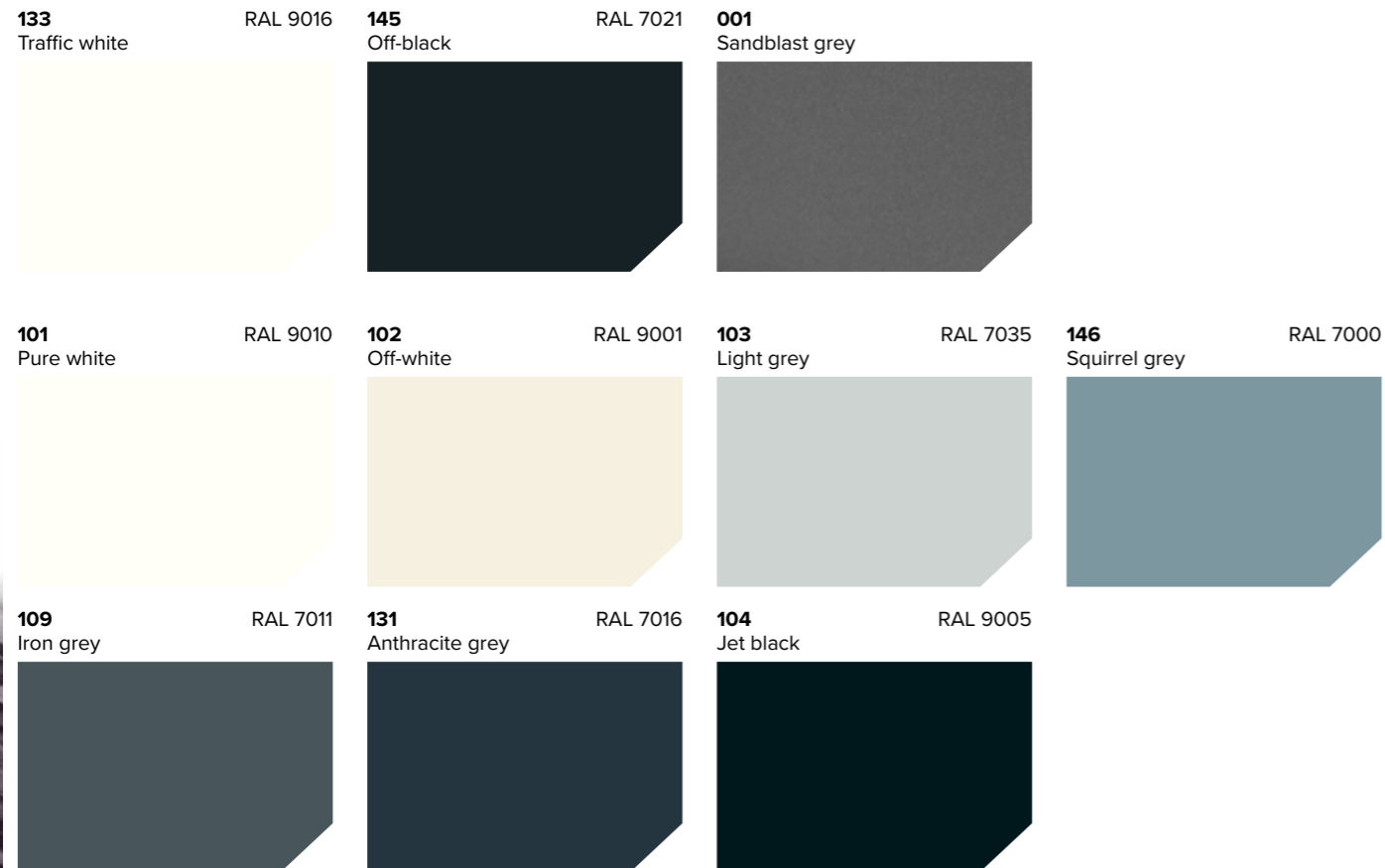
After having been thoroughly pretreated, the units are powder coated and baked. This ensures that the unit is both UV and scratch resistant.

What does the first digit of the colour code stand for?

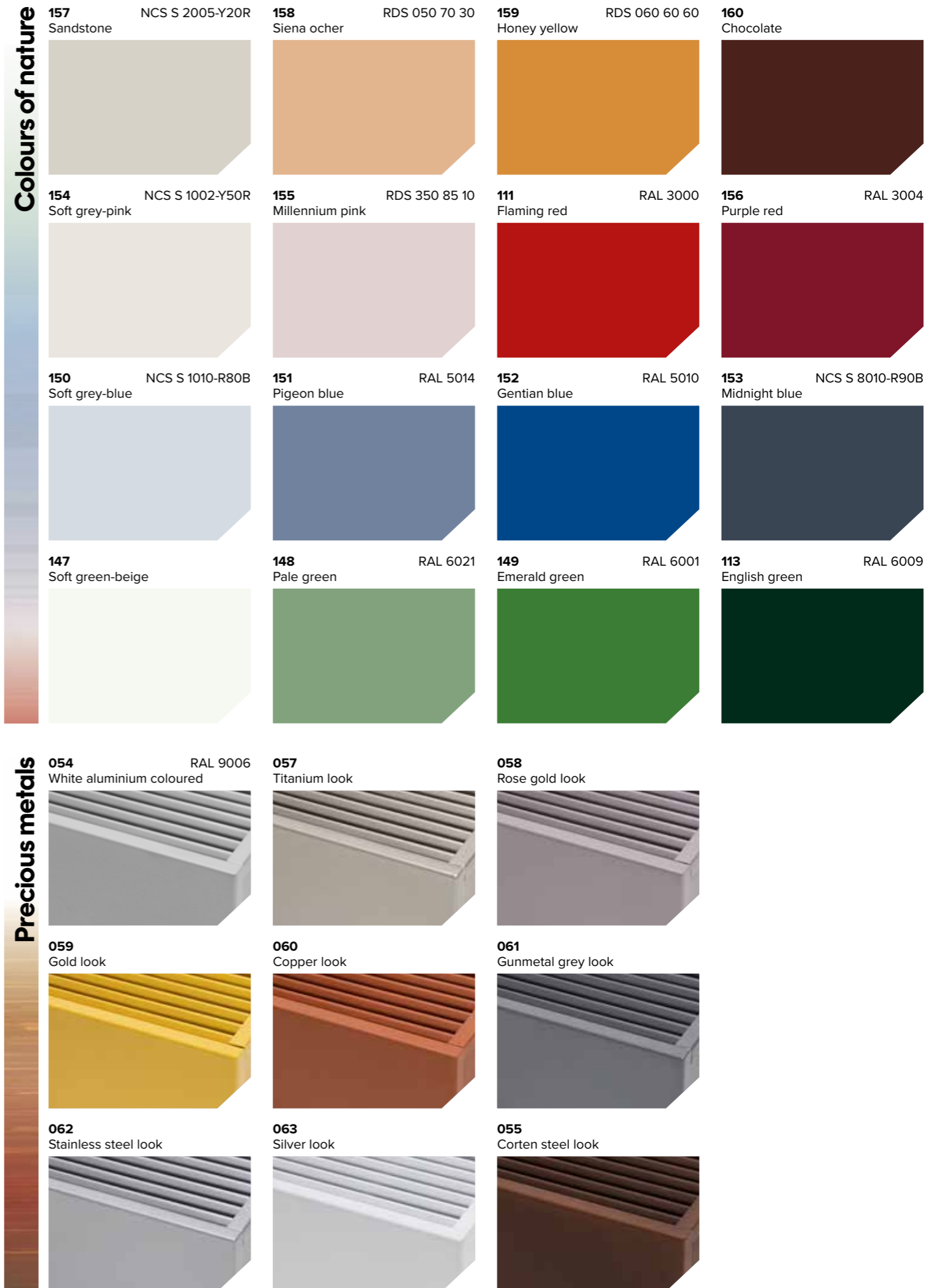
**Code 1xx Soft touch:** finely-textured matte look, gloss degree < 10%

**Code 0xx Metal lookalikes:** the finish and the degree of gloss simulate the imitated material

## Standard colours



Subtle & discreet



This colour chart is only indicative. It's impossible to obtain a 100% exact colour reproduction in printing. A colour chart can be obtained on request. The rendering of "055 Corten steel look" gives an impression of the end result. Due to the uniqueness of the surface, the lacquer, and the applied techniques, each device will be unique.

# NOTES

My Jaga contact: \_\_\_\_\_

Mobile: \_\_\_\_\_ Email: \_\_\_\_\_

## CONVERSION FACTORS

Unit	Imperial	SI
<b>Length</b>	1 in	25.4 mm
	1 ft	0.3048 m
	3.28 ft	1m
<b>Area</b>	1 in <sup>2</sup>	645.2 m <sup>2</sup>
	1 ft <sup>2</sup>	0.093 m <sup>2</sup>
	10.77 ft <sup>2</sup>	1 m <sup>2</sup>
<b>Volume</b>	1 in <sup>3</sup>	16.39 cm <sup>3</sup>
	1 ft <sup>3</sup>	28.32 litres
	35.32 ft <sup>3</sup>	1 m <sup>3</sup>
<b>Mass</b>	1 lb	0.4536 kg
	2.205 lb	1 kg
<b>Volume flow rate</b>	1 gall/min	0.076 litres/s
	1 ft <sup>3</sup> /min	0.472 litres/s
<b>Velocity</b>	1 ft/min	0.0051 m/s
	197 ft/min	1.0 m/s
<b>Energy</b>	1 Btu	1.055 kJ
	100,000 Btu	105.5 MJ
<b>Heat power</b>	1 Btu/hr	0.2931 W

## PRESSURE CONVERSION FACTORS

Units	bar	mbar	Pa	kPa	In. H <sub>2</sub> O	mm H <sub>2</sub> O	lb/in <sup>2</sup> (PSI)
<b>bar</b>	1	1000	100,000	100	401	10,200	14.5
<b>mbar</b>	0.001	1	100	0.1	0.401	10.2	0.0145
<b>Pa</b>	0.00001	0.01	1	0.001	0.00401	0.102	0.000145
<b>kPa</b>	0.01	10	1000	1	4.01	102	0.145
<b>In. H<sub>2</sub>O</b>	0.0025	2.49	249	0.249	1	25.4	0.0361
<b>mm H<sub>2</sub>O</b>	0.0000981	0.0981	9.81	0.00981	0.0394	1	0.00142
<b>lb/in<sup>2</sup> (PSI)</b>	0.0689	68.9	0.00689	6.89	27.7	703	1

## CALCULATE FLOW RATE

$$\frac{\text{corrected output [watts]} \times 3600}{\text{specific heat capacity [J/kg.}^\circ\text{C]} \times [\text{flow temp minus return temp}]}$$

- specific heat capacity of water = 4187
- assume emitter with 1000 Watt output
- flow 70°C, return 50°C

$$\frac{1000 \times 3600}{4187 \times [70-50]} = 42.99 \text{ kg/hr mass flow}$$





**jaga**

CLIMATE DESIGNERS

red•dwarf

 [www.reddwarf.co.nz](http://www.reddwarf.co.nz)

 (03) 982 3852.

 21 Humphreys Drive, Ferrymead, Christchurch, 8023.