

Blade

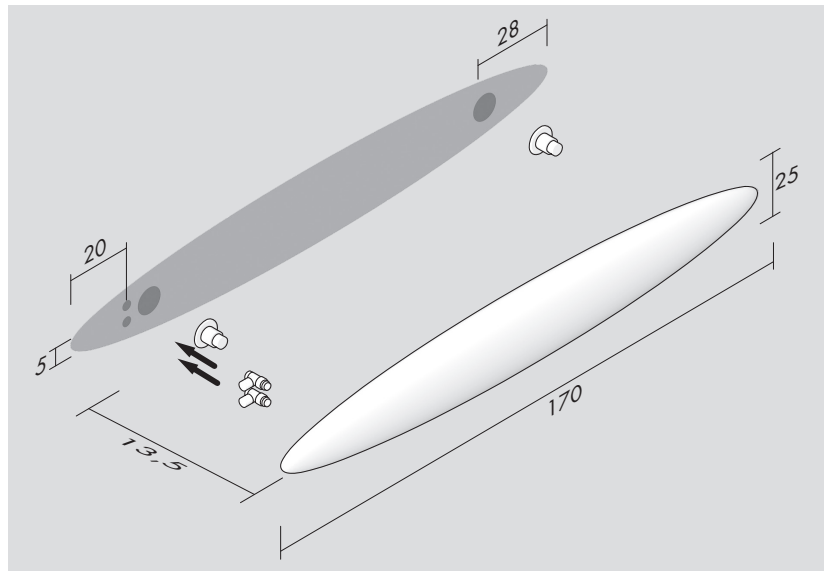
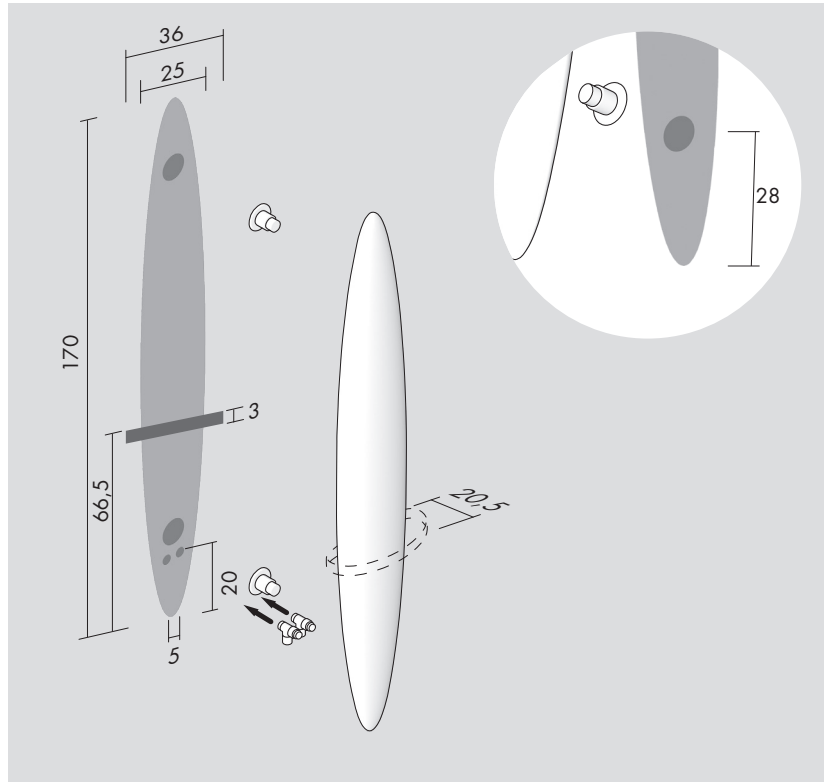
DESIGN PETER RANKIN



Kcal = Watt x 0.860
BTU = Watt x 3.413

Watt Δt 60° = Watt Δt 50° x 1.267
Watt Δt 40° = Watt Δt 50° x 0.748
Watt Δt 30° = Watt Δt 50° x 0.515
Watt Δt 20° = Watt Δt 50° x 0.304

p max = 5.0 bar



Blade V

H cm	L cm	I* cm	art*	Lt*	watt Δt 30°	watt Δt 50°	watt Δt 30°	watt Δt 50°
170.0	25.0	5.0	BLV170001_	9.4	207	402	145	281

Blade O

H cm	L cm	I* cm	art*	Lt*	watt Δt 30°	watt Δt 50°	watt Δt 30°	watt Δt 50°
25.0	170.0	5.0	BLO170001_	9.4	207	402	145	281

CRSM Brushed chrome / Chrome brossé / Gebürstet Chrome / Cromo cepillado

Optional



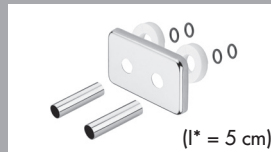
Straight Valve
Vanne droit
Durchgangs Ventil
Válvula recta

[BIAN] **E12DRB**
[CROM] **E12DRR**



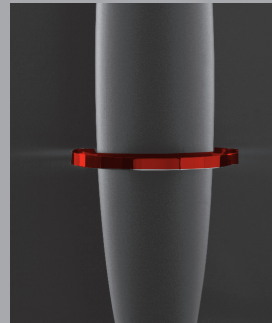
Thermostatic head
Tête thermostatique
Thermostatkopf
Cabezal termostático

[BIAN] **TTB**
[CROM] **TTR**



Sleeving kit
Kit couvre tuyau
Rosetten
Kit cubre tubo

[BIAN] **C5B**
[CROM] **C5R**



Towel bar
Porte-serviettes
Handtuchhalter
Porta toallas

[CROM] **MBR**
[COLOUR] **MBC**
[GOLD] **MBG**

art* = item / modèle / Artikel / artículo I* = pipe centres / distance entre depart et retour / Achsabstand / distancia entre las conexiones
Lt* = water content for each element / volume d'eau pour chaque element / Wassergehalt für Element / contenido de agua por cada elemento
P* = page / page / Seite / página